

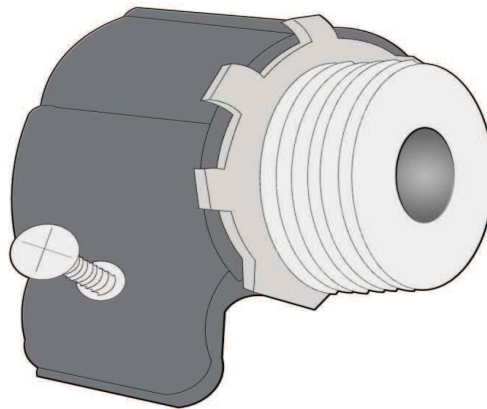
SPECIFICATIONS

- 40 mil Polyolefin exterior coating
- Sealing boots for conduit
- No VOC's
- No Halogens

COMPLIANCES

- UL Standard 514B

SQUEEZE TYPE-MALLEABLE IRON



Catalog #	Trade Size	Diam. Of Opening for Cable	Diam. Of Bushed Hole	Unit Qty.	Wt. Lbs. Per 100
CHCC707GG	3/8"	5/8"	3/8"	100	7
CHCC708GG	1/2"	15/16"	5/8"	50	14
CHCC709GG	3/4"	1 1/8"	3/4"	20	22
CHCC710GG	1"	1 3/8"	1"	20	31
CHCC711GG	1 1/4"	1 21/32"	1 5/16"	10	46
CHCC712GG	1 1/2"	1 7/8"	1 1/2"	5	79
CHCC713GG	2"	2 1/2"	2"	2	101
CHCC714GG	2 1/2"	2 7/8"	2 3/8"	2	161
CHCC715GG	3"	3 9/16"	3"	1	220
CHCC721GG	3 1/2"	4"	2 13/32"	1	470
CHCC722GG	4"	4 19/32"	3 31/32"	1	610

Dimension and Specifications are subject to change without notice