



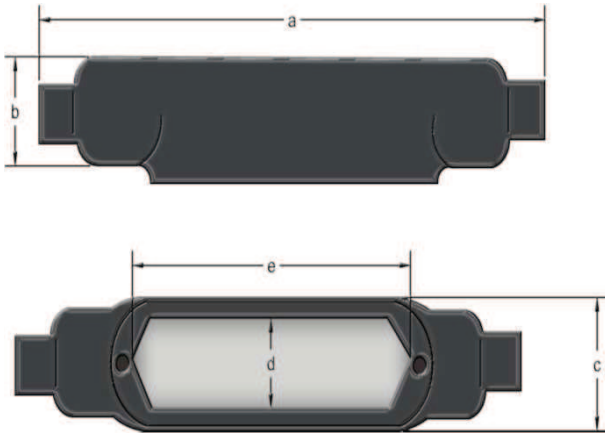
SPECIFICATIONS

- 40 mil Polyolefin exterior coating
- 2 mil Thermoset Polymer Interior
- Sealing boots for conduit
- No VOC's
- No Halogens

COMPLIANCES

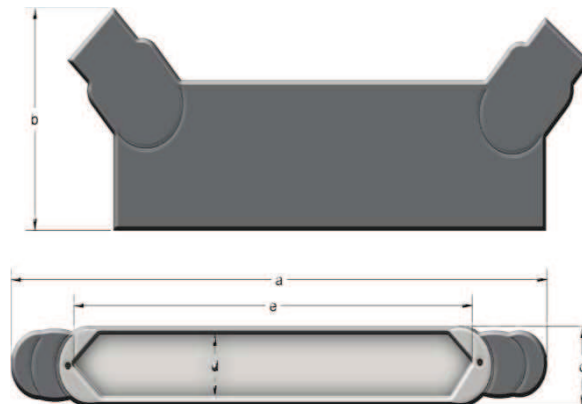
- UL Standard 514B

CONDUIT BODIES - MOGULS



MOGUL CONDUIT BODIES - BC						
PIPE SIZE	CATALOG #	A	B	C	D	E
1"	BC3GG	7.31	1.92	2.27	1.88	6
1-1/4"	BC4GG	8.49	2.35	2.27	1.88	6
1-1/2"	BC5GG	10.38	2.59	3.08	2.63	10
2"	BC6GG	12.25	3.17	3.08	2.63	10
2-1/2"	BC7GG	15.63	3.67	4.33	3.81	15
3"	BC8GG	15.63	4.42	4.33	3.81	15
3-1/2"	BC9GG	18.75	4.92	5.33	4.75	20
4"	BC10GG	18.75	5.42	5.33	4.75	20

MOGUL CONDUIT BODIES - BUB						
PIPE SIZE	CATALOG #	A	B	C	D	E
1"	BUB3GG	10.19	2.73	2.27	1.88	6
1-1/4"	BUB4GG	11.06	3.23	2.27	1.88	6
1-1/2"	BUB5GG	14.98	3.54	3.08	2.63	10
2"	BUB6GG	15.49	4.17	3.08	2.63	10
2-1/2"	BUB7GG	19.75	4.85	4.33	3.81	15
3"	BUB8GG	19.88	5.67	4.33	3.81	15
3-1/2"	BUB9GG	25.38	6.42	5.33	4.75	20
4"	BUB10GG	25.38	6.85	5.33	4.75	20



****Dimension and Specifications are subject to change without notice****