

SPECIFICATIONS

- 40 mil Polyolefin exterior coating
- Sealing boots for conduit
- No VOC's
- No Halogens

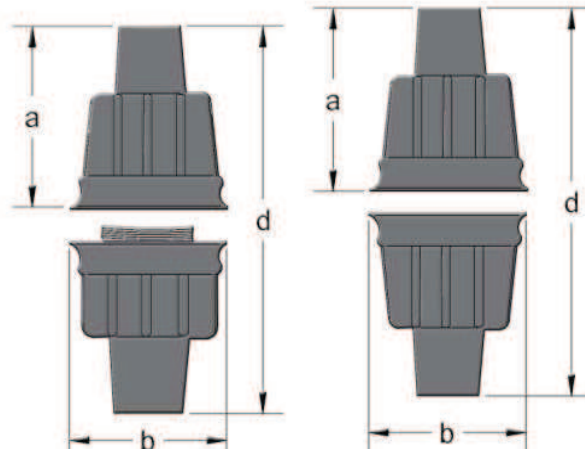
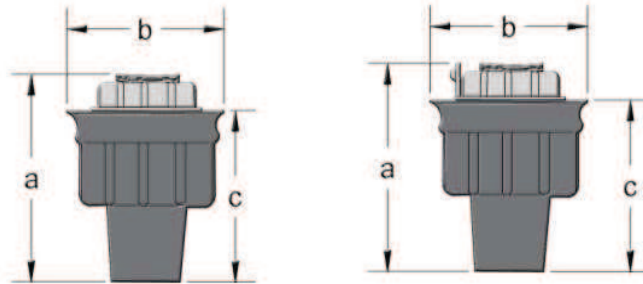
COMPLIANCES

- UL Standard 514B
- File E155411 Vol. 3, Sec. 2



KNOCKOUT HUBS

KNOCKOUT HUBS					
PIPE SIZE	CATALOG #	A	B	C	WEIGHT
1/2"	HUB50GG	1.84	2	1.31	0.2
3/4"	HUB75GG	2.22	2.25	1.66	0.3
1"	HUB100GG	2.66	2.5	2.03	0.4
1-1/4"	HUB125GG	2.94	3.25	2.28	0.4
1-1/2"	HUB150GG	3.19	3.5	2.53	0.6
2"	HUB200GG	3.75	4.25	3.09	1.2
2-1/2"	HUB250GG	4.22	4.75	3.28	1.5
3"	HUB300GG	4.31	5.25	3.38	2.1
3-1/2"	HUB350GG	4.38	5.5	3.44	3
4"	HUB400GG	4.44	6.25	3.5	3.5
5"	HUB500GG	4.94	7.5	4	5.4
6"	HUB600GG	5	8.5	4	6.9



STG STYLE KNOCKOUT HUBS W/GROUND					
PIPE SIZE	CATALOG #	A	B	D	WEIGHT
1/2"	STG1GG	1.84	2	3.68	0.5
3/4"	STG2GG	2.22	2.25	4.44	0.5
1"	STG3GG	2.66	2.5	5.32	0.7
1-1/4"	STG4GG	2.94	3.25	5.88	1
1-1/2"	STG5GG	3.19	3.5	6.38	1.2
2"	STG6GG	3.75	4.25	7.5	1.7
2-1/2"	STG7GG	4.22	4.75	8.44	2.5
3"	STG8GG	4.31	5.25	8.62	3
3-1/2"	STG9GG	4.38	5.5	8.76	4.2
4"	STG10GG	4.44	6.25	8.88	5.9

STTB STYLE KNOCKOUT HUBS W/ GRND					
PIPE SIZE	CATALOG #	A	B	C	WEIGHT
1/2"	STTB1GG	1.84	2	1.31	0.2
3/4"	STTB2GG	2.22	2.25	1.66	0.3
1"	STTB3GG	2.66	2.5	2.03	0.4
1-1/4"	STTB4GG	2.94	3.25	2.28	0.4
1-1/2"	STTB5GG	3.19	3.5	2.53	0.6
2"	STTB6GG	3.75	4.25	3.09	1.2
2-1/2"	STTB7GG	4.22	4.75	3.28	1.5
3"	STTB8GG	4.31	5.25	3.38	2.1
3-1/2"	STTB9GG	4.38	5.5	3.44	3
4"	STTB10GG	4.44	6.25	3.5	3.5
5"	STTB11GG	4.94	7.5	4	5.4
6"	STTB12GG	5	8.5	4	6.9

STTTB STYLE KNOCKOUT HUB UNLIMIT WALLTHICKNESS					
PIPE SIZE	CATALOG #	A	B	D	WEIGHT
1/2"	STTTB1GG	1.84	2	3.68	1
3/4"	STTTB2GG	2.22	2.25	4.44	1
1"	STTTB3GG	2.66	2.5	5.32	1.4
1-1/4"	STTTB4GG	2.94	3.25	5.88	2
1-1/2"	STTTB5GG	3.19	3.5	6.38	2.4
2"	STTTB6GG	3.75	4.25	7.5	3.4

Dimension and Specifications are subject to change without notice