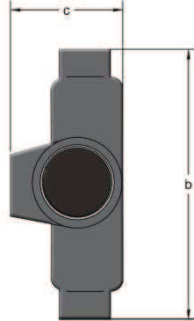
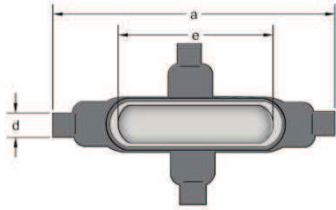




SPECIFICATIONS

- 40 mil Polyolefin exterior coating
 - 2 mil Thermoset Polymer Interior
 - No VOC's
 - No Halogens
- COMPLIANCES**
- UL Standard 514B

CONDUIT BODIES AND COVERS FOR GENERAL SERVICE LOCATIONS



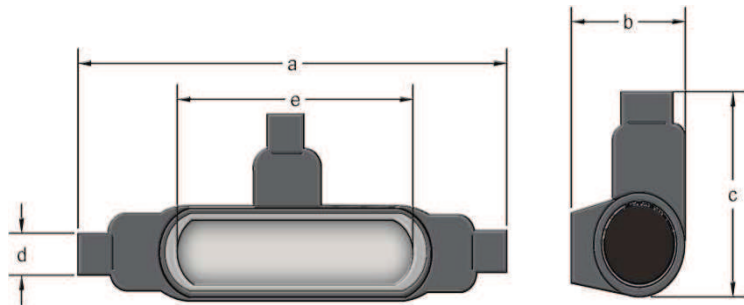
FORM 7 - X						
PIPE SIZE	CATALOG #	A	B	C	D	E
1/2"	X17GG	6.63	3.35	1.79	0.94	3.19
3/4"	X27GG	7.75	3.54	2.04	1.13	3.81
1"	X37GG	9.25	4.04	2.29	1.38	4.49
1-1/4"	X47GG	9.94	4.17	2.35	1.75	4.99
1-1/2"	X57GG	11.19	4.67	2.59	1.94	5.44
2"	X67GG	13.19	5.23	3.17	2.44	6.38

FORM 8 - X						
PIPE SIZE	CATALOG #	A	B	C	D	E
1/2"	X18GG	6.69	3.91	1.79	1.01	3.31
3/4"	X28GG	7.78	4.56	2.04	1.19	3.94
1"	X38GG	9.31	5.51	2.29	1.38	4.56
1-1/4"	X448GG	10.98	6.63	2.67	1.75	5.31
1-1/2"	X58GG	13.38	8.25	3.51	2.13	6.51
2"	X68GG	16.25	10.25	3.6	3.01	8.56

FORM 7 - T						
PIPE SIZE	CATALOG #	A	B	C	D	E
1/2"	T17GG	6.63	1.79	2.48	0.94	3.19
3/4"	T27GG	7.75	2.04	2.68	1.13	3.81
1"	T37GG	9.25	2.29	3.04	1.38	4.49
1-1/4"	T47GG	9.94	2.35	3.23	1.75	4.99
1-1/2"	T57GG	11.19	2.59	3.59	1.94	5.44
2"	T67GG	13.19	3.17	4.17	2.44	6.38
2-1/2"	T777GG	15.99	3.67	5.79	3.56	8.38
3"	T87GG	16.06	4.42	5.79	3.56	8.38
3-1/2"	T97GG	18.31	4.92	6.98	4.51	10.25
4"	T107GG	18.31	5.42	6.98	4.51	10.25



FORM 8 - T						
PIPE SIZE	CATALOG #	A	B	C	D	E
1/2"	T18GG	6.69	1.79	2.21	1.01	3.31
3/4"	T28GG	7.78	2.04	2.35	1.19	3.94
1"	T38GG	9.31	2.29	2.67	1.38	4.56
1-1/4"	T448GG	11.01	2.67	3.21	1.75	5.31
1-1/2"	T58GG	13.38	2.82	4.04	2.13	6.51
2"	T68GG	16.25	3.59	5.04	3.01	8.56
2-1/2"	T78GG	19.63	4.48	6.73	4.25	10.88
3"	T88GG	19.63	4.85	6.73	4.25	10.88
3-1/2"	T98GG	22.75	5.73	8.17	5.44	13.43
4"	T108GG	22.75	5.98	8.17	5.44	13.43



Dimension and Specifications are subject to change without notice