



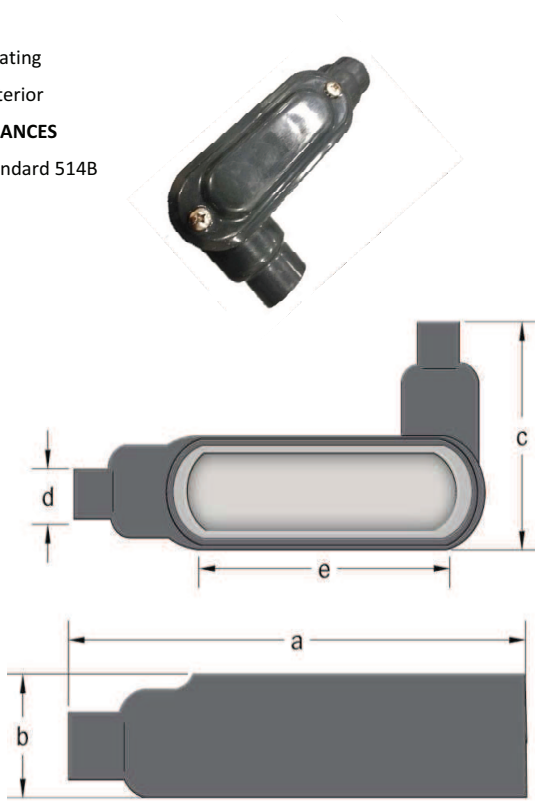
### CONDUIT BODIES AND COVERS FOR GENERAL SERVICE LOCATIONS

#### SPECIFICATIONS

- 40 mil Polyolefin exterior coating
- 2 mil Thermoset Polymer Interior

• No VOC's **COMPLIANCES**

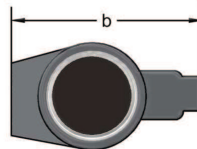
- No Halogens
- UL Standard 514B



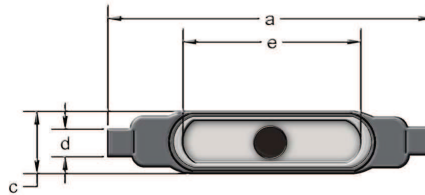
FORM 8 - LR						
PIPE SIZE	CATALOG #	A	B	C	D	E
1/2"	LR18GG	5.11	1.42	2.29	0.94	3.19
3/4"	LR28GG	5.98	1.67	2.48	1.13	3.81
1"	LR38GG	7.04	1.92	2.79	1.38	4.49
1-1/4"	LR48GG	7.79	2.35	3.23	1.75	4.99
1-1/2"	LR58GG	8.67	2.59	3.61	1.94	5.44
2"	LR68GG	10.17	3.17	4.17	2.44	6.38
2-1/2"	LR78GG	12.54	3.67	5.79	3.56	8.38
3"	LR88GG	12.54	4.42	5.79	3.56	8.38
3-1/2"	LR98GG	14.73	4.92	6.98	4.51	10.25
4"	LR108GG	14.73	5.42	6.98	4.51	10.25

FORM 7 - LR						
PIPE SIZE	CATALOG #	A	B	C	D	E
1/2"	LR17GG	5.11	1.42	2.29	0.94	3.19
3/4"	LR27GG	5.98	1.67	2.48	1.13	3.81
1"	LR37GG	7.04	1.92	2.79	1.38	4.49
1-1/4"	LR47GG	7.79	2.35	3.23	1.75	4.99
1-1/2"	LR57GG	8.67	2.59	3.61	1.94	5.44
2"	LR67GG	10.17	3.17	4.17	2.44	6.38
2-1/2"	LR77GG	12.54	3.67	5.79	3.56	8.38
3"	LR87GG	12.54	4.42	5.79	3.56	8.38
3-1/2"	LR97GG	14.73	4.92	6.98	4.51	10.25
4"	LR107GG	14.73	5.42	6.98	4.51	10.25

FORM 7 - TB						
PIPE SIZE	CATALOG #	A	B	C	D	E
1/2"	TB17GG	6.63	1.79	2.48	0.94	3.19
3/4"	TB27GG	7.75	2.04	2.68	1.13	3.81
1"	TB37GG	9.25	2.29	3.04	1.38	4.49
1-1/4"	TB47GG	9.94	2.35	3.23	1.75	4.99
1-1/2"	TB57GG	11.19	2.59	3.59	1.94	5.44
2"	TB67GG	13.19	3.17	4.17	2.44	6.38



FORM 8 - TB						
PIPE SIZE	CATALOG #	A	B	C	D	E
1/2"	TB18GG	6.69	3.57	1.46	1.01	3.31
3/4"	TB28GG	7.78	3.79	1.64	1.19	3.94
1"	TB38GG	9.31	4.17	1.83	1.38	4.56
1-1/4"	TB448GG	10.98	4.38	2.27	1.75	5.31
1-1/2"	TB58GG	13.38	5.07	2.83	2.13	6.51
2"	TB68GG	16.25	5.85	3.83	3.01	8.56



\*\*Dimension and Specifications are subject to change without notice\*\*