



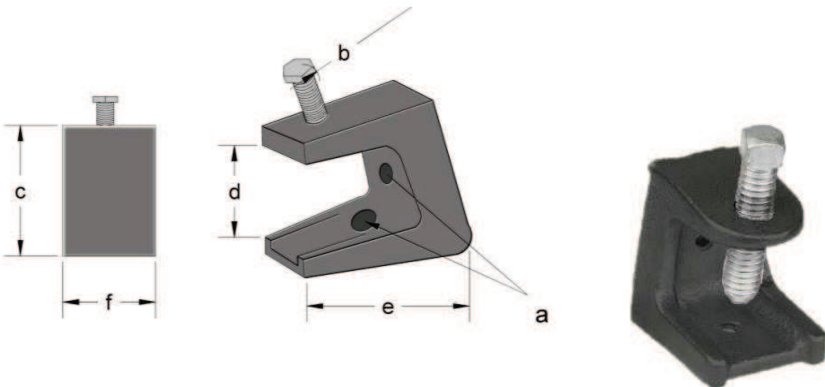
SPECIFICATIONS

- 20 mil Polyolefin exterior coating
- No VOC's
- No Halogens

COATED CONDUIT HANGERS



CONDUIT HANGERS		
PIPE SIZE	CATALOG #	Wt/C
1/2"	MINI50GG	10
3/4"	MINI75GG	11
1"	MINI100GG	13
1-1/4"	MINI125GG	19
1-1/2"	MINI150GG	22
2"	MINI200GG	28
2-1/2"	MINI250GG	38
3"	MINI300GG	47
3-1/2"	MINI350GG	59
4"	MINI400GG	68



BEAM CLAMPS								
Catalog #	A	B	C	D	E	F	Nominal Weight	Max Load
BC500GG	1/4 - 20	5/16 - 1-1/8	1/4 - 20	1 - 3/8	1 - 1/4	1 - 1/8	0.025	500
BC501GG	5/16 - 18	5/16 - 18	3/8 - 16	1 - 3/4	1 - 5/8	1 - 1/2	0.5	800
BC502GG	3/8 - 16	3/8 - 16	1/2 - 13	2 - 1/16	2	2	0.9	2000
BC503GG	1/2 - 13	1/2 - 13	1/2 - 13	2 - 5/8	1 - 1/4	1 - 1/8	1.95	2000
BC508GG	1/2 - 13	1/2 - 13	1/2 - 13	2 - 1/4	2 - 1/2	2 - 5/8	2.5	4000
BCC508GG	1/2 - 13	1/2 - 13	2 - 1/8	2 - 5/8	2 - 1/2	2 - 5/8	2.5	1700

Dimension and Specifications are subject to change without notice